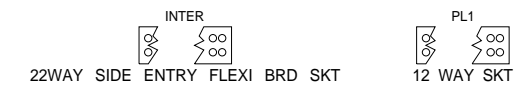
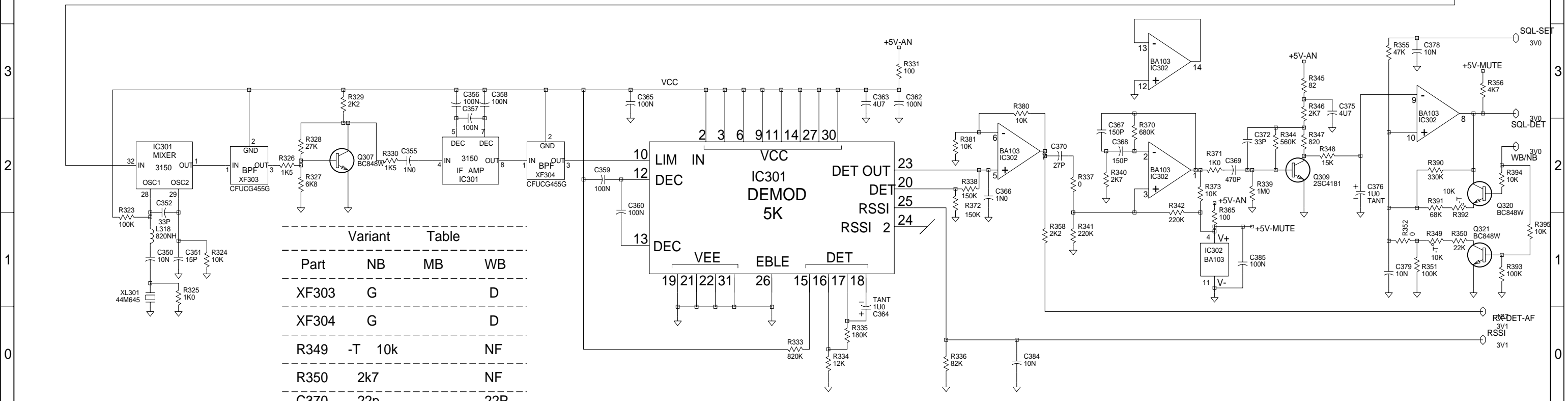
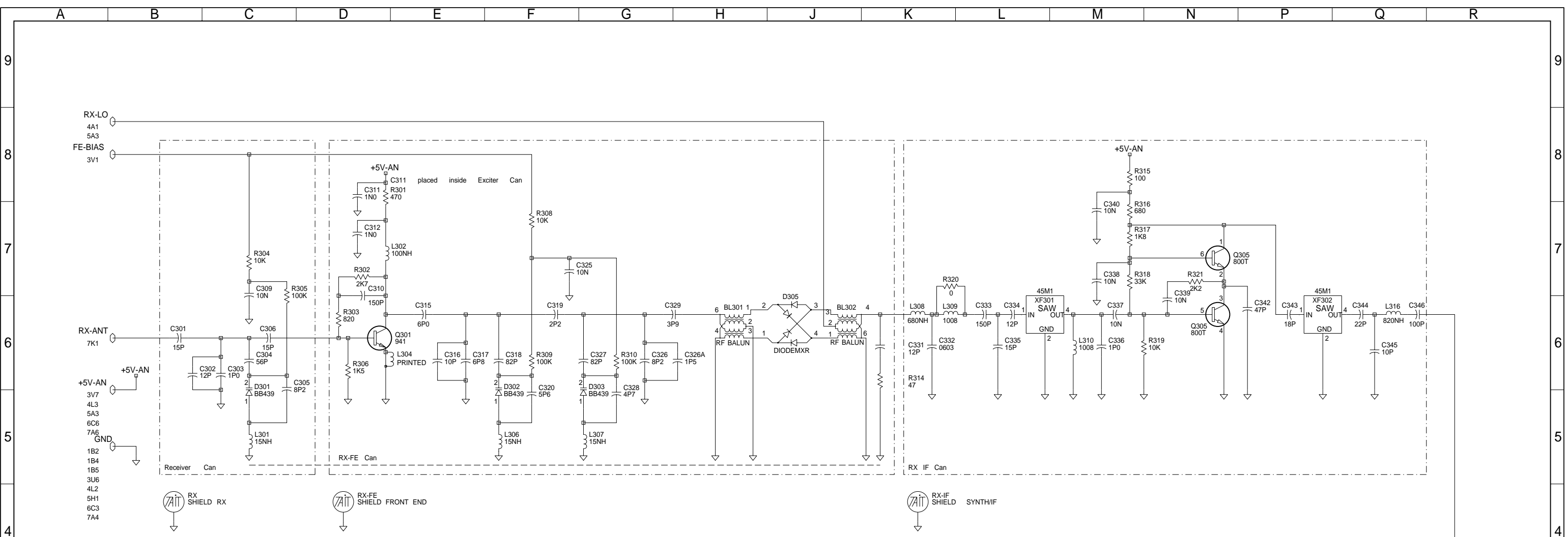


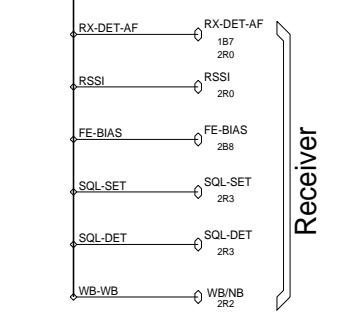
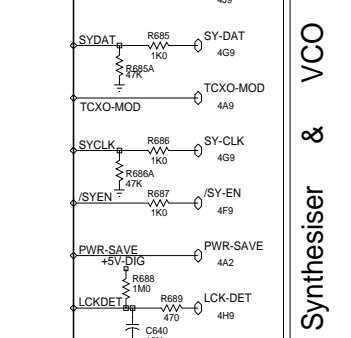
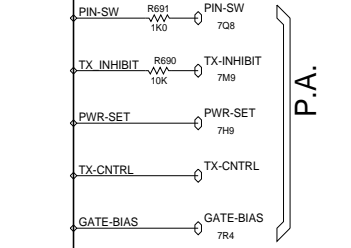
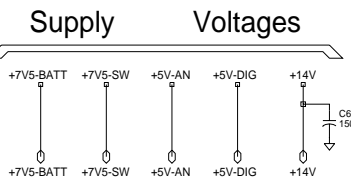
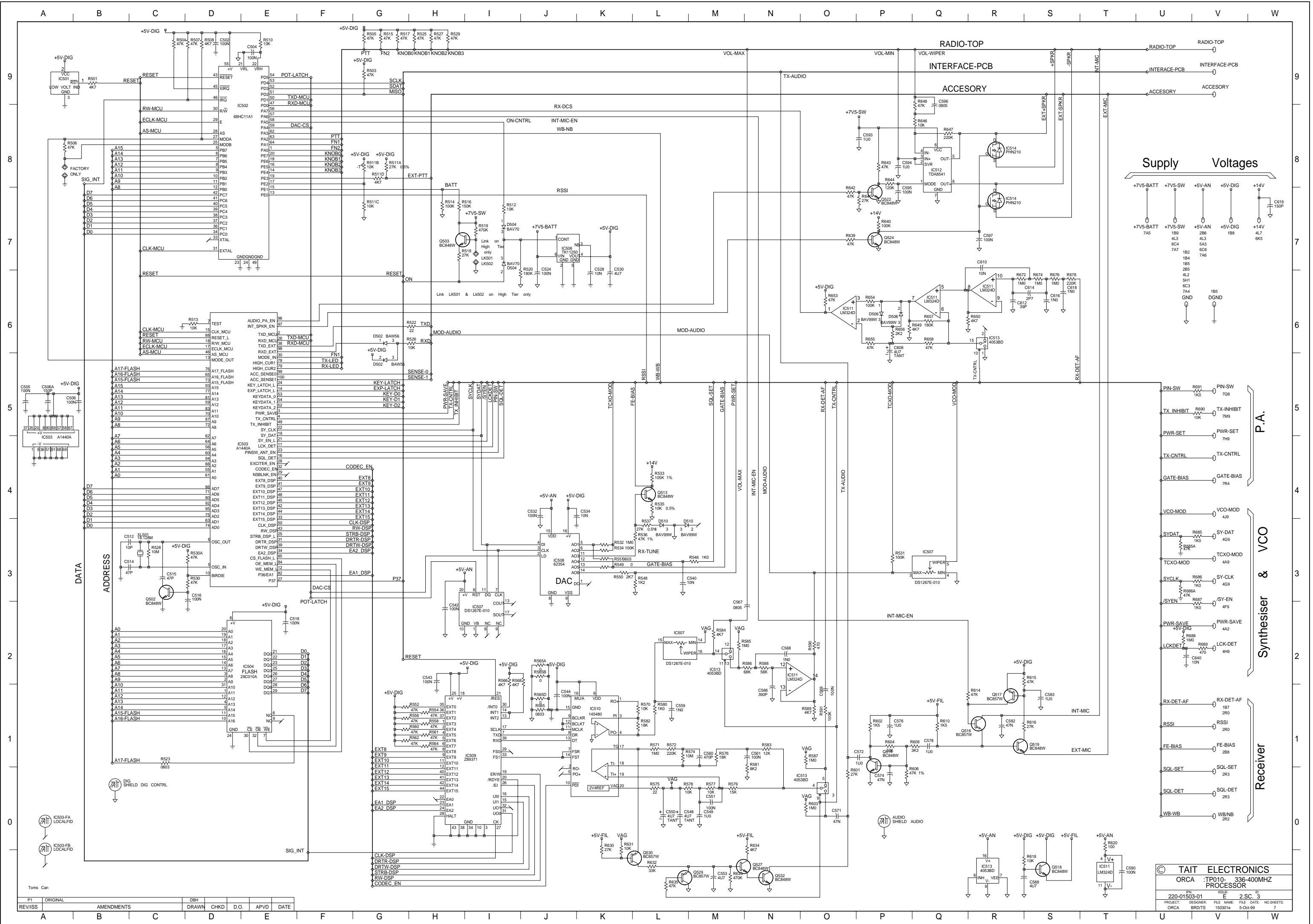
REV/ISS	AMENDMENTS	DRAWN	CHKD	D.O.	APVD	DATE
01E	SEALS TO .NC. REGEN. PLA & PLC	CCO	No.005	TS		05-10-99
01D	4 SPRING PINS NOW 356-01077-00	SMT.	CCO #1503-001	TS		14-09-99
01C	CHANGED PASTE TO SMALL TCXO	BRD				31-05-99
01B	500185 ROTATED C364 180 DEG TANT	BRD				05-03-99
08	UPDATED MUTE CIRCUITRY	DBH				



Sub UHF

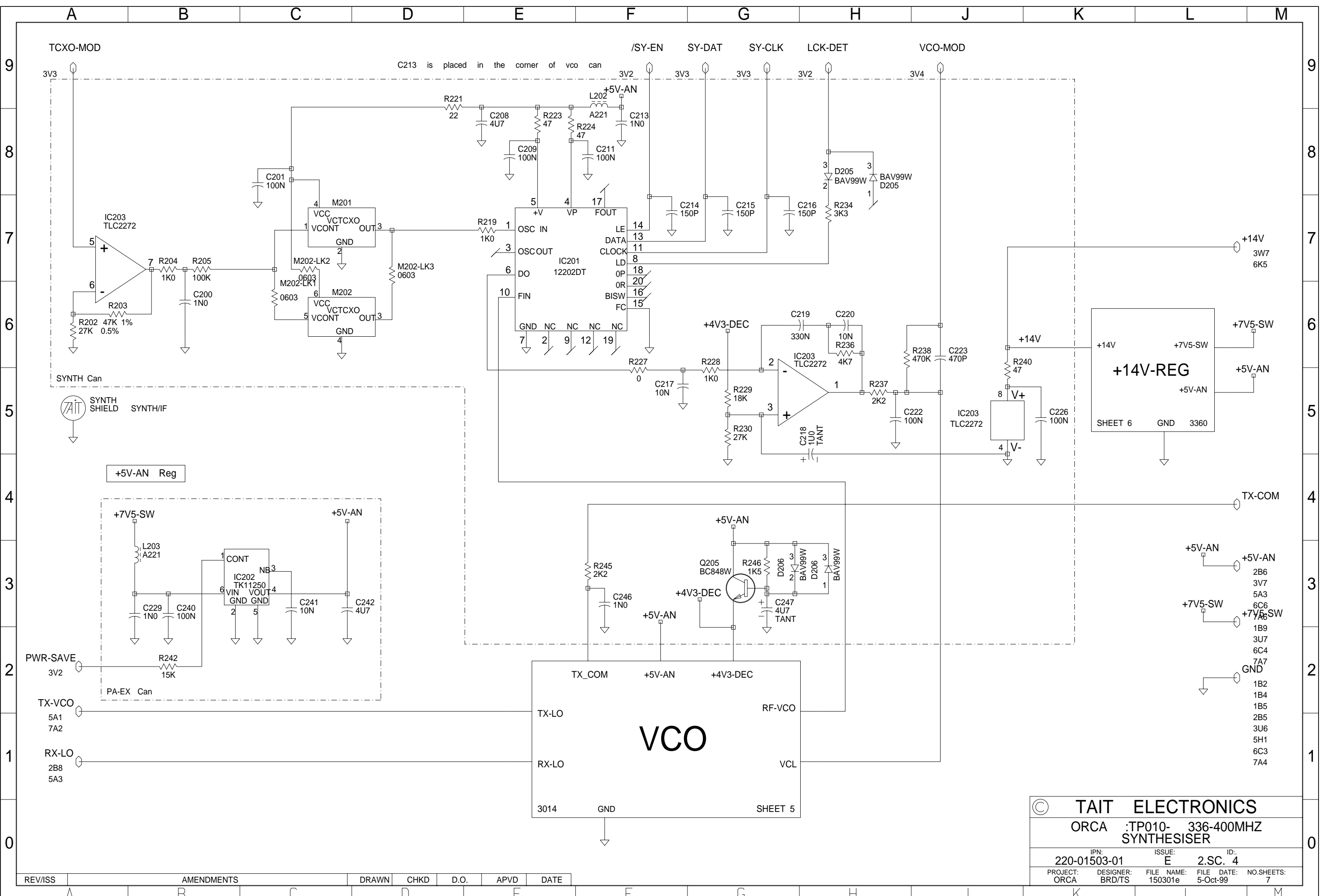
© TAIT ELECTRONICS	
ORCA :TP010- 336-400MHZ SYSTEM DIAGRAM	
IPN: 220-01503-01	ISSUE: E 2.SC. 1
PROJECT: ORCA	DESIGNER: BRD/TS
FILE NAME: 150301e	FILE DATE: 5-Oct-99
NO.SHEETS: 7	





© TAIT ELECTRONICS			
ORCA :TP010- 336-400MHZ PROCESSOR			
220-01503-01	DESIGNER	FILE NAME	FILE DATE
ORCA	BRDTS	1503016	5-Oct-99
REV/ISS	AMENDMENTS	DRAWN	CHKD
A			

P1	ORIGINAL	DBH			
REV/ISS	AMENDMENTS	DRAWN	CHKD	D.O.	APVD
A					



© TAIT ELECTRONICS
 ORCA :TP010- 336-400MHZ SYNTHESISER
 IPN: 220-01503-01 ISSUE: E ID: 2.SC. 4
 PROJECT: ORCA DESIGNER: BRD/TS FILE NAME: 150301e FILE DATE: 5-Oct-99 NO.SHEETS: 7

REV/ISS	AMENDMENTS	DRAWN	CHKD	D.O.	APVD	DATE

VCO
 3014 GND SHEET 5

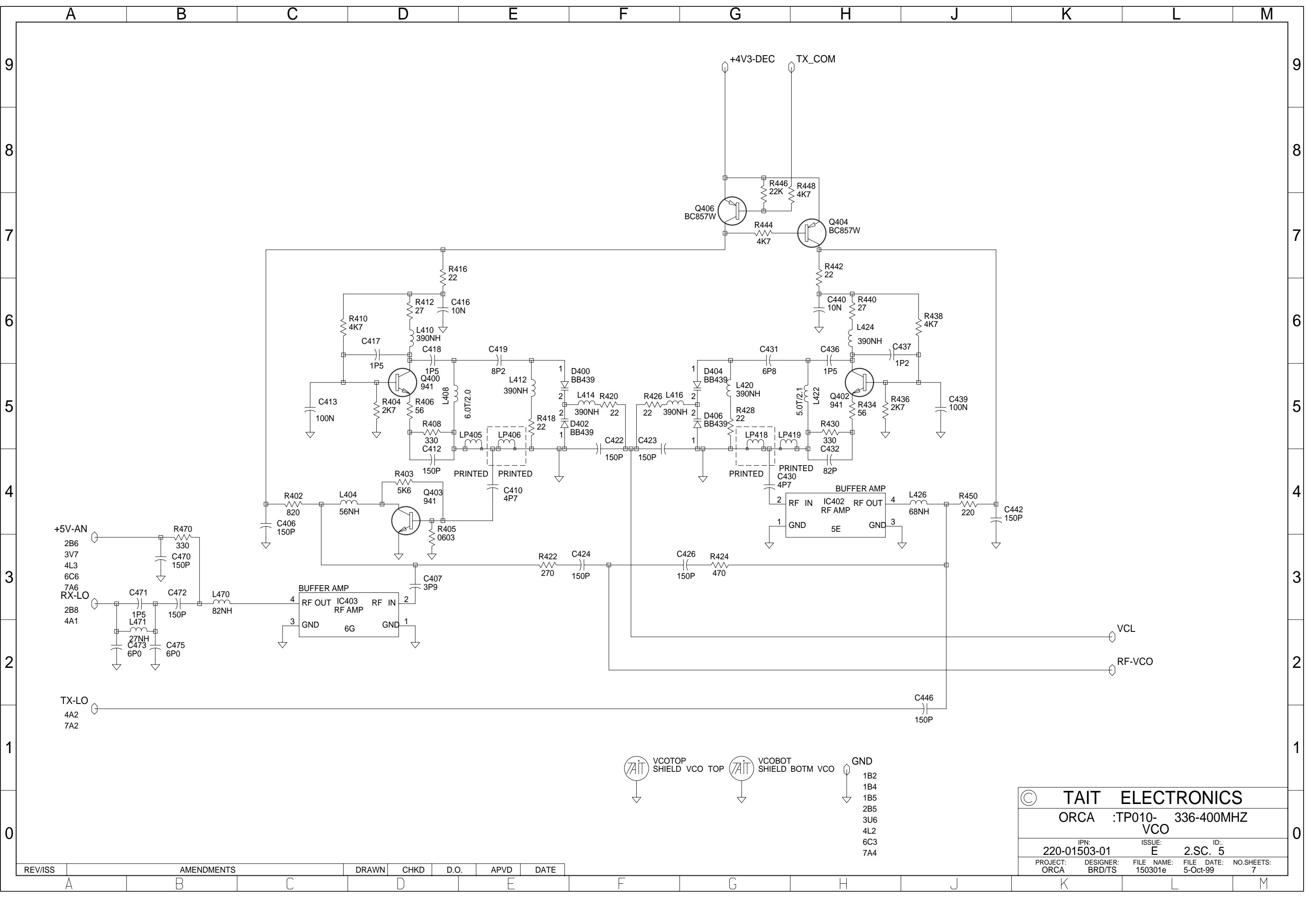
+14V-REG
 SHEET 6 GND 3360

+5V-AN Reg

PA-EX Can

SYNTH Can
 SYNTH SHIELD SYNTH/IF

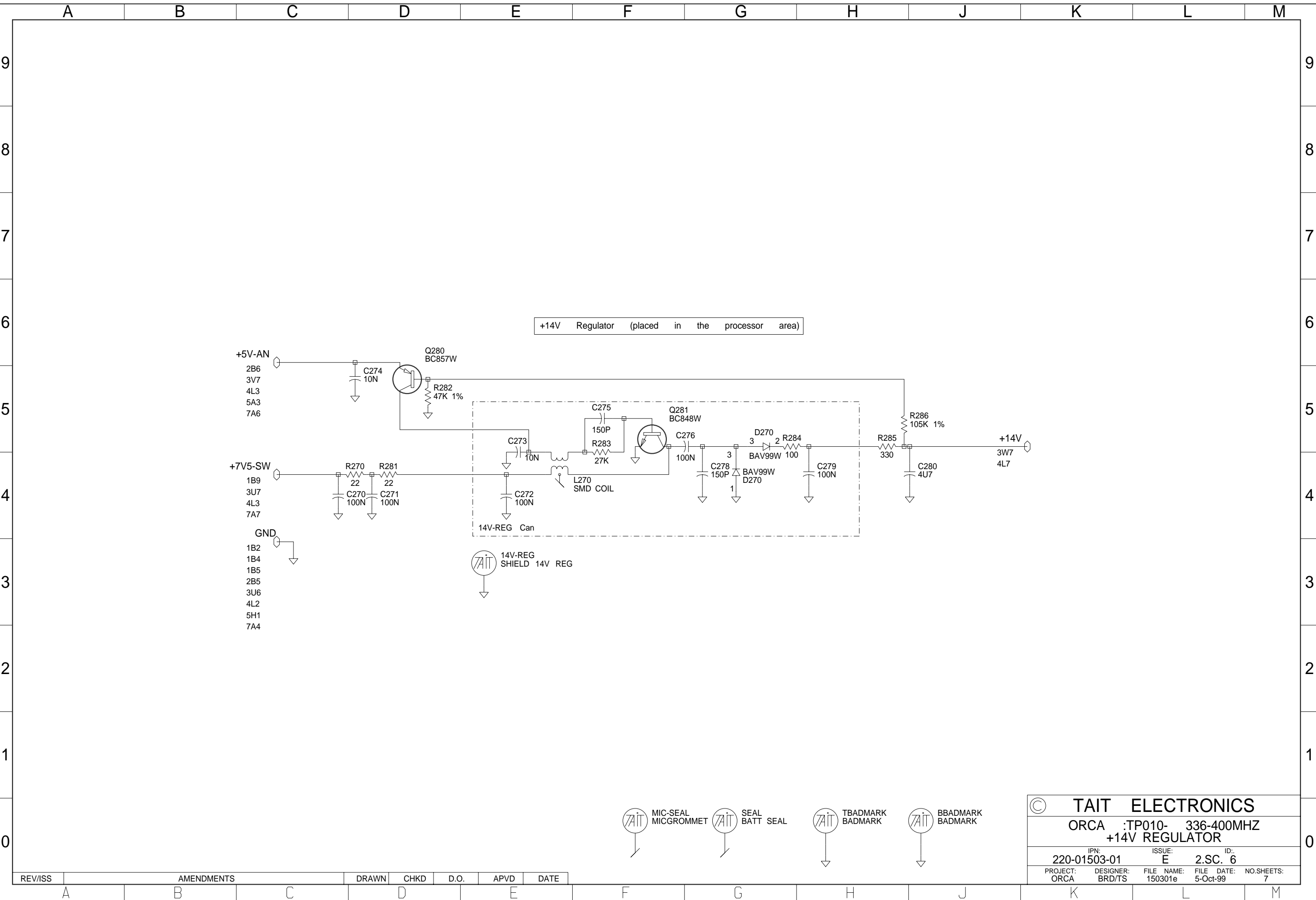
- +5V-AN 2B6
- +5V-AN 3V7
- +5V-AN 5A3
- +7V5-SW 6C6
- +7V5-SW 7A6
- GND 1B9
- GND 3U7
- GND 6C4
- GND 7A7
- GND 1B2
- GND 1B4
- GND 1B5
- GND 2B5
- GND 3U6
- GND 5H1
- GND 6C3
- GND 7A4



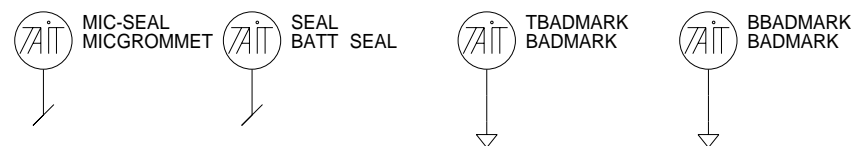
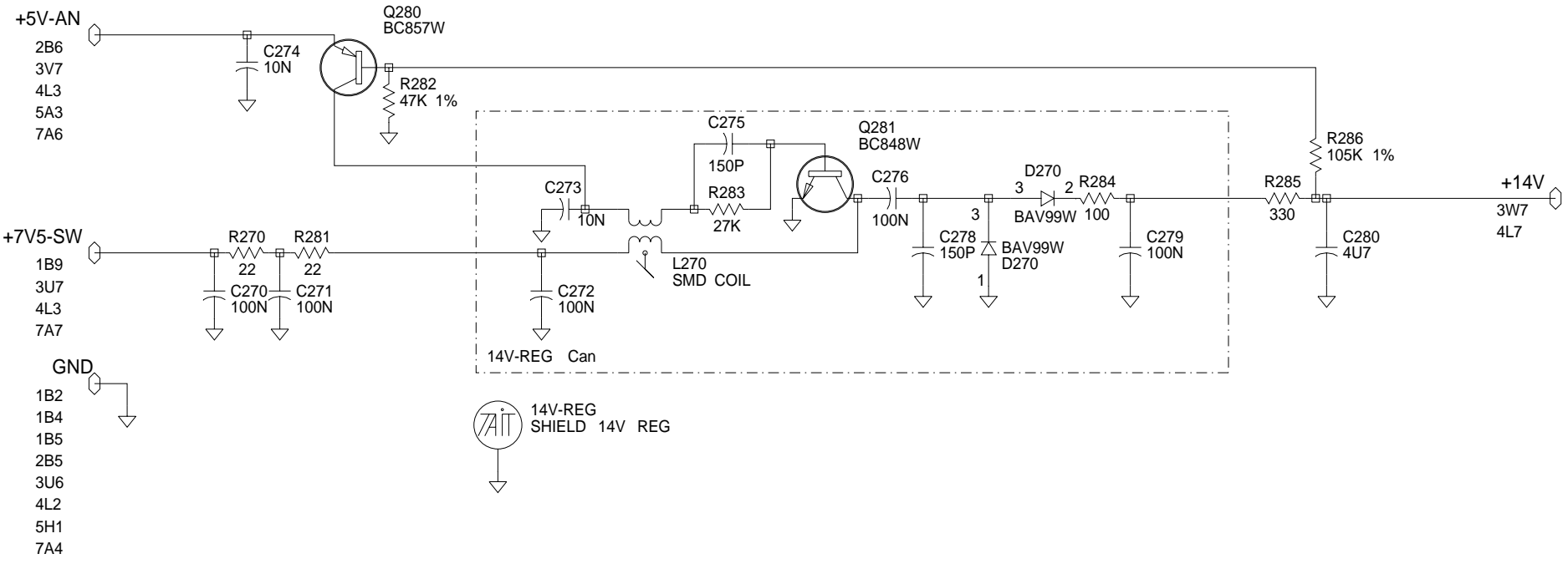
© TAIT ELECTRONICS
 ORCA :TP010- 336-400MHZ
 VCO
 IPN: 220-01503-01 ISSUE: E ID: 2.SC. 5
 PROJECT: ORCA DESIGNER: BRD/TS FILE NAME: 150301e FILE DATE: 5-Oct-99 NO.SHEETS: 7

REV/ISS	AMENDMENTS	DRAWN	CHKD	D.O.	APVD	DATE

- VCOTOP SHIELD VCO TOP
- VCOBOT SHIELD BOTM VCO
- GND
- 1B2
- 1B4
- 1B5
- 2B5
- 3U6
- 4L2
- 6C3
- 7A4

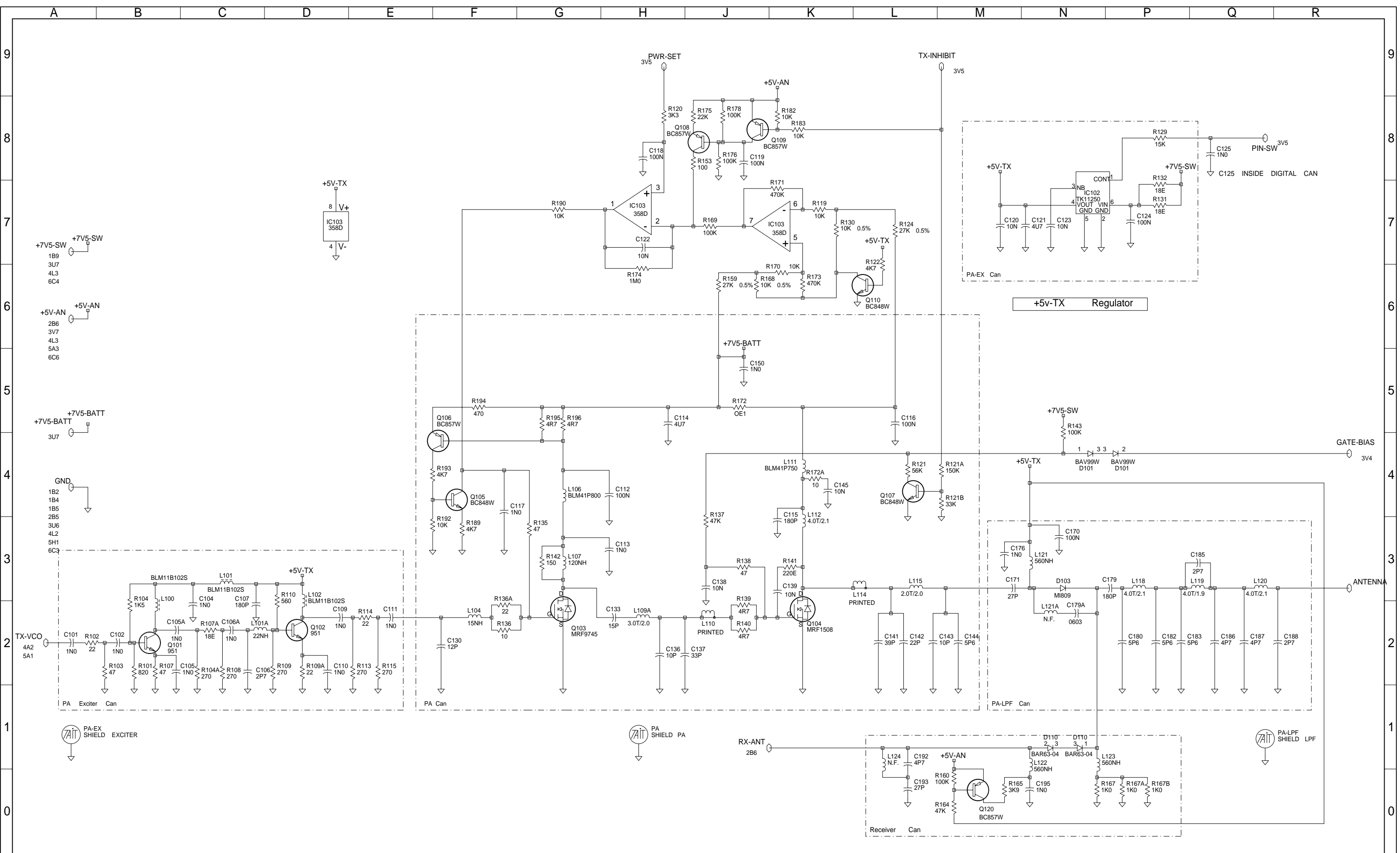


+14V Regulator (placed in the processor area)



© TAIT ELECTRONICS				
ORCA :TP010- 336-400MHZ +14V REGULATOR				
IPN:	ISSUE:	ID:		
220-01503-01	E	2.SC. 6		
PROJECT:	DESIGNER:	FILE NAME:	FILE DATE:	NO.SHEETS:
ORCA	BRD/TS	150301e	5-Oct-99	7

REV/ISS	AMENDMENTS	DRAWN	CHKD	D.O.	APVD	DATE
---------	------------	-------	------	------	------	------



© TAIT ELECTRONICS
 ORCA :TP010- 336-400MHZ
 LOWCOST T3010

IPN: 220-01503-01	ISSUE: E	ID: 2.S.C. 7
PROJECT: ORCA	DESIGNER: BRD/TS	FILE NAME: 150301e
	FILE DATE: 5-Oct-99	NO.SHEETS: 7

03A						
REV/ISS	AMENDMENTS	DRAWN	CHKD	D.O.	APVD	DATE